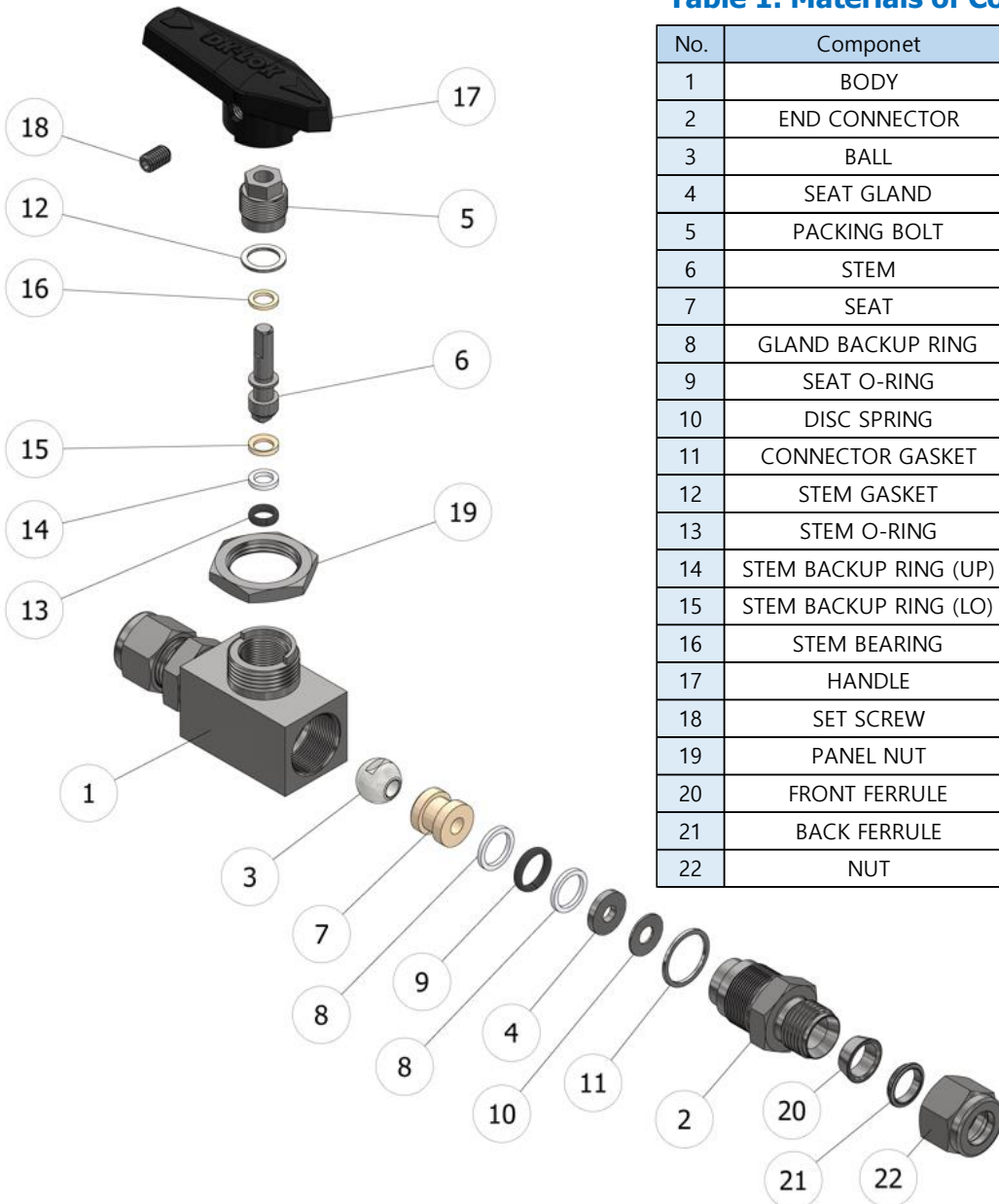
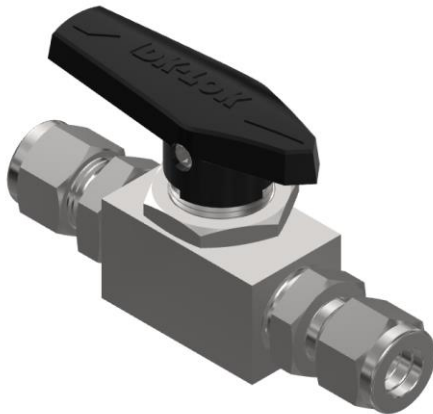


VHG86 Series Ball Valve

Pressure rating of 413 bar (6000psig)



Features

- Temperatures from -40 to 150°C (-40 to 302°F)

	Temperature $^{\circ}\text{C}$ ($^{\circ}\text{F}$)	Working Pressure bar (psig)
FKM	-17 (0) to 121 (250)	413 (6000)
	122 (251) to 150 (302)	206 (3000)
EPDM	-40 (-40) to 65 (150)	413 (6000)
	66 (151) to 121 (250)	117 (1700)
HNBR	-40 (-40) to 65 (150)	413 (6000)
	66 (151) to 150 (302)	117 (1700)

- Spring loaded PEEK seats
- Low torque Quarter-turn operation
- Indicates flow direction, open/closed position
- High-flow capacity in a compact design

Table 1. Materials of Construction

No.	Componet	Materials	Q'ty
1	BODY	ASTM A 276 TYPE316	1
2	END CONNECTOR	ASTM A 276 TYPE316	2
3	BALL	ASTM A 276 TYPE316	1
4	SEAT GLAND	ASTM A 276 TYPE316	2
5	PACKING BOLT	ASTM A 276 TYPE316	1
6	STEM	ASTM A 276 TYPE316	1
7	SEAT	PEEK	2
8	GLAND BACKUP RING	PTFE	4
9	SEAT O-RING	FKM / EPDM / HNBR	2
10	DISC SPRING	51CrV4 / SUP10	2
11	CONNECTOR GASKET	ASTM A 276 TYPE316	2
12	STEM GASKET	ASTM A 276 TYPE316	1
13	STEM O-RING	FKM / EPDM / HNBR	1
14	STEM BACKUP RING (UP)	PTFE	1
15	STEM BACKUP RING (LO)	PEEK	1
16	STEM BEARING	PEEK	1
17	HANDLE	NYLON WITH ZINC INSERT	1
18	SET SCREW	STAINLESS STEEL	1
19	PANEL NUT	STAINLESS STEEL	1
20	FRONT FERRULE	STAINLESS STEEL	2
21	BACK FERRULE	STAINLESS STEEL	2
22	NUT	STAINLESS STEEL	2

Ordering Information and Table of Dimensions

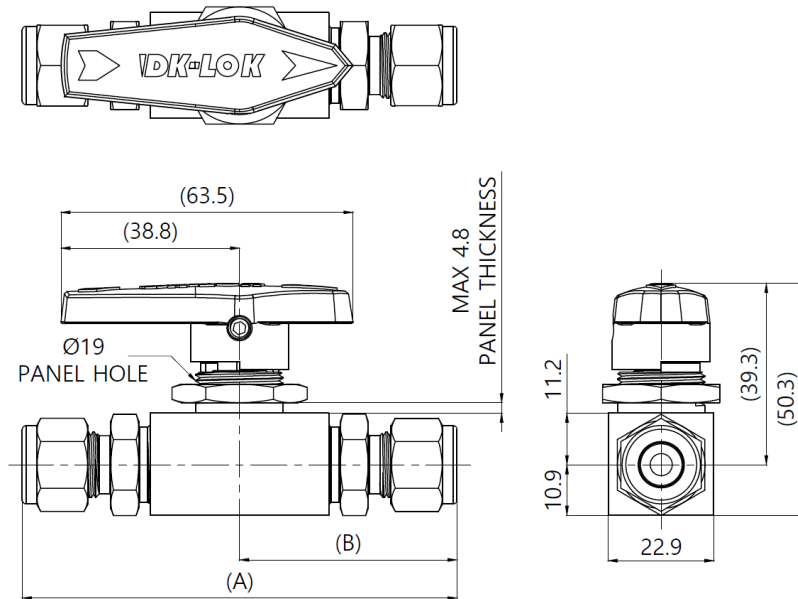


Table 2. Basic Ordering Number and Dimensions

Basic Ordering Number		End Connection Inlet / Outlet	Cv	Orifice mm (in)	Dimensions, mm (in)	
					A	B
VHG86	D-4T	1/4 in. DK-Lok	1.3	4.8 (0.188)	94.5 (3.72)	47.25 (1.86)
	D-6T	3/8 in. DK-Lok	1.4		91.5 (3.60)	45.75 (1.80)
	D-6M	6mm DK-Lok	1.3		91.5 (3.60)	45.75 (1.80)
	D-8M	8mm DK-Lok	1.3		93 (3.66)	46.5 (1.83)
	F-4N	1/4 in. Female NPT	1.2		76.4 (3.01)	38.2 (1.50)
	M-4N	1/4 in. Male NPT	1.1		84.2 (3.31)	42.1 (1.66)
	F-4R	1/4 in. Female PT	1.2		76.4 (3.01)	38.2 (1.5)

How to Order

Select valve ordering number, applicable option(s) from designators tables listed below.

VHG86-D-6T-

O-Ring	Handle	Body Materials
Nil : FKM (-17 ~ 150°C / 0 ~ 302°F) EP : EPDM (-40 ~ 121°C / -40 ~ 250°F) HN : HNBR (-40 ~ 150°C / -40 ~ 302°F)	Nil : Standard Nylon Handle	S : SS316

Factory Test

Every valve is factory tested with nitrogen gas @69 bar (1,000 psig) for leakage at the seat to a maximum allowable leak rate of 0.1 SCCM. The packing is tested with nitrogen for no detectable leakage.

Important Information About Ball Valves

- * Ball valves are designed to be used in a fully open or fully closed position.
- * Valves that have not been cycled for a period of time may have a higher initial actuation torque.

Safe Valve Selection

The selection of a valve for any application or system design must be considered to ensure safe performance. Valve function, valve rating, material compatibility, proper installation, operation and maintenance remain the sole responsibility of the system of the system designer and the user. DK-Lok accepts no liability for any improper selection, installation, operation or maintenance.

 Fittings & Valves www.dklok.com	DK-LOK Corporation Mailing Address 7, Golden root-ro 129beon-gil, Juchon-myeon, Gimhae-si, Gyeongsangnam-do, South Korea 621-842	DK-Lok contact information Tel. (82) 55-338-0114 Fax. (82) 55-901-0143 E-mail : sales@dklok.com	For International customers Tel. (82) 55-338-0031/2 Fax. (82) 55-901-0142 E-mail : dklok@dklok.com
--	--	---	--